



# Multi-Purpose Flash™ (MPF™) Multi-Purpose Flash Plus (MPF+)

39 Series

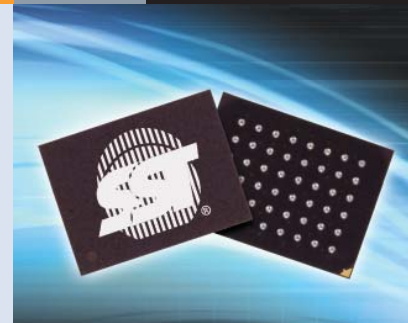
Product Brief

October 2010

## Product Description

Multi-Purpose Flash™ (MPF™) and Multi-Purpose Flash Plus (MPF+) make up a family of parallel flash memory products that deliver high performance, low power consumption, superior reliability and small sector size. Based on SST® SuperFlash® technology, MPF and MPF+ provide faster program, erase and read times than conventional flash, thereby saving power consumption and increasing manufacturing throughput.

In addition to offering 3V and 5V memory products, MPF and MPF+ provide 1.8V devices that deliver significant power savings compared to industry standard flash. Ideal for space-constrained applications, this family offers the industry's smallest standard packages, the XFLGA and WFBGA, both as small as 4 mm x 6 mm.



## Key Features

### Operating Voltages

- 1.65V-1.95V
- 2.7V-3.6V
- 4.5V-5.5V

### Low Power Consumption\*

- Active current: 5 mA (typical)
- Standby current: 3 µA (typical)

### Fast Read Access Times\*

- 45 ns
- 55 ns
- 70 ns

### Fast Programming\*

- 14 µs per word (typical)

### Flexible Erase Capability and Fast Erase Times\*

- 2 Kword Sector Erase: 18 ms (typical)
- 32 Kword Block Erase: 18 ms (typical)
- Chip Erase: 70 ms (typical)

### Small Uniform Sector Sizes: 2 Kword and 32 Kword

### Commercial and Industrial Operating Temperatures

**Endurance:** 100,000 cycles (typical)

**Data Retention:** 100 years (min)

### MPF+ Offers Additional Features

- Erase suspend
- Boot block
- Hardware reset features

\*Data varies for different devices, please refer to datasheet for details.

## 39 Series: Multi-Purpose Flash (MPF) Packages\*

Voltage	Density	32-pin PDIP (PHE)	32-pin PLCC (NHE)	32-pin TSOP (WHE)	34-ball WFBGA (MME)	48-ball TFBGA (B3KE)	48-lead TSOP (EKE)	48-bump XFLGA (C1OE) (CAQE)	48-ball WFBGA (M1OE) (MAQE)
1.8V	4 Mbit					•		•	•
	8 Mbit					•		•	•
	16 Mbit					•		•	•
3V	512 Kbit		•	•					
	1 Mbit		•	•	•	•			
	2 Mbit		•	•	•	•	•		•
	4 Mbit		•	•		•	•	•	•
	8 Mbit					•	•	•	•
	16 Mbit					•	•	•	•
	32 Mbit					•	•		
64 Mbit					•	•			
5V	1 Mbit	•	•	•					
	2 Mbit	•	•	•					
	4 Mbit	•	•	•					

\*Wafer/Die (Known Good Die) sales of above devices are also available. Please contact SST sales for detailed information.

## Applications

- Bluetooth
- GPS
- Digital TVs
- Digital Media Players, MP3 Players
- WiFi/ WIMAX
- Printers
- Digital Photo Frames
- Mobile Phones
- DSL/Cable Modems
- Servers and Routers
- Set Top Boxes
- Digital Cameras
- Industrial
- Automotive Infotainment

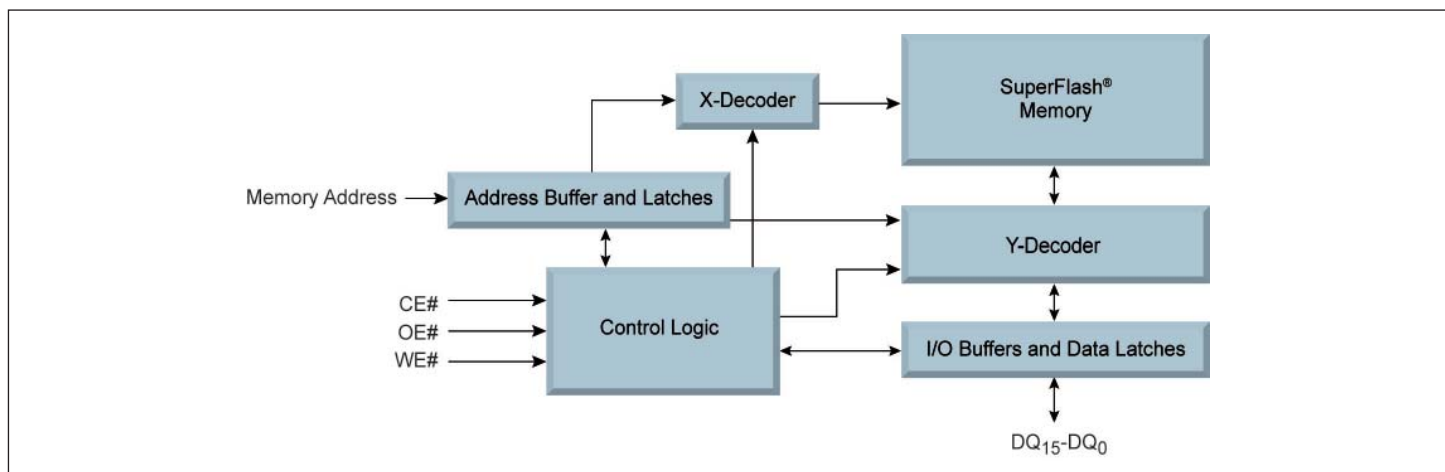


Silicon Storage Technology, Inc.  
1020 Kifer Road  
Sunnyvale, CA 94086-5308  
Tel: (408) 735-9110  
Fax: (408) 735-9036

www.SST.com  
www.SuperFlash.com

Parallel Flash Memory, 1.8V				
Device	Density	Voltage	Access Speed (ns)	Packages
SST39WF400B	4 Mbit (256K x16)	1.65-1.95V	70	TFBGA-48 (6 mm x 8 mm), WFBGA-48 (4 mm x 6 mm), XFLGA-48 (4 mm x 6 mm)
SST39WF800B	8 Mbit (512K x16)	1.65-1.95V	70	TFBGA-48 (6 mm x 8 mm), WFBGA-48 (4 mm x 6 mm), XFLGA-48 (4 mm x 6 mm)
SST39WF1601/1602	16 Mbit (1 Mb x16)	1.65-1.95V	70	TFBGA-48 (6 mm x 8 mm), WFBGA-48 (4 mm x 6 mm)
Parallel Flash Memory, 3V				
SST39LF/VF512	512 Mbit (64K x16)	LF: 3.0-3.6V VF: 2.7-3.6V	LF: 45 VF: 70	PLCC-32, TSOP-32 (8 mm x 14 mm)
SST39LF/VF010	1 Mbit (128K x8)	LF: 3.0-3.6V VF: 2.7-3.6V	LF: 55 VF: 70	PLCC-32, TSOP-32 (8 mm x 14 mm), TFBGA-48 (6 mm x 8 mm), WFBGA-34 (4 mm x 6 mm)
SST39LF/VF020	2 Mbit (256K x8)	LF: 3.0-3.6V VF: 2.7-3.6V	LF: 55 VF: 70	PLCC-32, TSOP-32 (8 mm x 14 mm), TFBGA-48 (6 mm x 8 mm), WFBGA-34 (4 mm x 6 mm)
SST39LF/VF200A	2 Mbit (128K x16)	LF: 3.0-3.6V VF: 2.7-3.6V	LF: 55 VF: 70	TSOP-48 (12 mm x 20 mm), TFBGA-48 (6 mm x 8 mm), WFBGA-48 (4 mm x 6 mm)
SST39LF/VF040	4 Mbit (512K x8)	LF: 3.0-3.6V VF: 2.7-3.6V	LF: 55 VF: 70	PLCC-32, TSOP-32 (8 mm x 14 mm), TFBGA-48 (6 mm x 8 mm)
SST39LF/VF400A	4 Mbit (256K x16)	LF: 3.0-3.6V VF: 2.7-3.6V	LF: 55 VF: 70	TSOP-48 (12 mm x 20 mm), TFBGA-48 (6 mm x 8 mm), WFBGA-48 (4 mm x 6 mm), XFLGA-48 (4 mm x 6 mm)
SST39LF/VF800A	8 Mbit (512K x16)	LF: 3.0-3.6V VF: 2.7-3.6V	LF: 55 VF: 70	TSOP-48 (12 mm x 20 mm), TFBGA-48 (6 mm x 8 mm), WFBGA-48 (4 mm x 6 mm), XFLGA-48 (4 mm x 6 mm)
SST39VF1601C/1602C	16 Mbit (1 Mb x16)	2.7-3.6V	70	TSOP-48 (12 mm x 20 mm), TFBGA-48 (6 mm x 8 mm), WFBGA-48 (4 mm x 6 mm)
SST39VF1681/1682	16 Mbit (2Mb x8)	2.7-3.6V	70	TSOP-48 (12 mm x 20 mm), TFBGA-48 (6 mm x 8 mm)
SST39VF3201B/2B	32 Mbit (2 Mb x16)	2.7-3.6V	70	TSOP-48 (12 mm x 20 mm), TFBGA-48 (6 mm x 8 mm)
SST39VF6401B/2B	64 Mbit (4 Mb x16)	2.7-3.6V	70	TSOP-48 (12 mm x 20 mm), TFBGA-48 (8 mm x 10 mm)
Parallel Flash Memory, 5V				
SST39SF010A	1 Mbit (128K x8)	4.5-5.5V	55, 70	PLCC-32, TSOP-32 (8 mm x 14 mm), PDIP-32
SST39SF020A	2 Mbit (256K x8)	4.5-5.5V	55, 70	PLCC-32, TSOP-32 (8 mm x 14 mm), PDIP-32
SST39SF040	4 Mbit (512K x8)	4.5-5.5V	55, 70	PLCC-32, TSOP-32 (8 mm x 14 mm), PDIP-32

## Functional Block Diagram



Silicon Storage Technology, Inc., a wholly owned subsidiary of Microchip Technology Inc.

© 2010 Silicon Storage Technology, Inc. All rights reserved. The SST logo, SST and SuperFlash are registered trademarks and Multi-Purpose Flash and MPF are trademarks of Silicon Storage Technology, Inc. These specifications are subject to change without notice. Printed in the U.S.A. 10/10  
DS01360A



[www.SST.com](http://www.SST.com)

**Silicon Storage Technology, Inc.**  
1020 Kifer Road  
Sunnyvale, CA 94086-5308  
Tel: (408) 735-9110  
Fax: (408) 735-9036

# Mouser Electronics

Authorized Distributor

Click to View Pricing, Inventory, Delivery & Lifecycle Information:

## Microchip:

[SST39VF400A-70-4I-B3KE](#) [SST39VF200A-70-4I-EKE](#) [SST39VF400A-70-4I-EKE](#) [SST39VF800A-70-4I-EKE](#)  
[SST39VF800A-70-4I-B3KE](#) [SST39VF200A-70-4C-B3KE](#) [SST39VF800A-70-4C-EKE](#) [SST39VF400A-70-4C-EKE](#)  
[SST39VF200A-70-4C-EKE](#) [SST39VF1682-70-4C-EKE](#) [SST39SF010A-45-4I-NHE](#) [SST39VF800A-70-4C-B3KE](#)  
[SST39SF040-45-4C-WHE](#) [SST39LF800A-55-4C-B3KE](#) [SST39SF040-45-4C-NHE](#) [SST39VF1681-70-4I-B3KE](#)  
[SST39VF1681-70-4C-EKE](#) [SST39VF1681-70-4C-B3KE](#) [SST39VF1682-70-4C-B3KE](#) [SST39VF200A-70-4I-B3KE](#)  
[SST39SF040-45-4I-NHE](#) [SST39VF400A-70-4C-B3KE](#) [SST39LF800A-55-4C-EKE](#) [SST39SF040-45-4I-WHE](#)  
[SST39LF400A-55-4C-B3KE](#) [SST39LF400A-55-4C-EKE](#) [SST39SF020A-45-4C-WHE](#) [SST39VF200A-70-4C-M1QE](#)  
[SST39VF800A-70-4A-EKE](#) [SST39LF200A-55-4C-B3KE](#) [SST39LF200A-55-4C-EKE](#) [SST39VF1681-70-4C-EKE-T](#)  
[SST39VF200A-70-4C-EKE-T](#) [SST39VF400A-70-4C-B3KE-T](#) [SST39VF400A-70-4I-EKE-T](#) [SST39VF800A-70-4C-](#)  
[B3KE-T](#) [SST39VF800A-70-4C-EKE-T](#) [SST39SF010A-45-4I-NHE-T](#) [SST39SF010A-70-4C-WHE-T](#) [SST39SF010A-70-](#)  
[4I-NHE-T](#) [SST39SF020A-55-4C-NHE](#) [SST39SF020A-55-4C-WHE](#) [SST39SF020A-55-4I-NHE](#) [SST39SF020A-55-4I-](#)  
[WHE](#) [SST39SF020A-70-4C-NHE-T](#) [SST39SF020A-70-4I-NHE-T](#) [SST39SF040-45-4C-NHE-T](#) [SST39SF040-45-4C-](#)  
[WHE-T](#) [SST39SF040-45-4I-NHE-T](#) [SST39SF040-45-4I-WHE-T](#) [SST39SF040-55-4C-NHE](#) [SST39SF040-55-4C-WHE](#)  
[SST39SF040-55-4I-NHE](#) [SST39SF040-55-4I-WHE](#) [SST39SF040-70-4C-WHE-T](#) [SST39SF040-70-4I-WHE-T](#)  
[SST39VF1681-70-4I-EKE-T](#) [SST39VF1682-70-4C-EKE-T](#) [SST39VF1682-70-4I-B3KE](#) [SST39VF1682-70-4I-B3KE-T](#)  
[SST39VF1682-70-4I-EKE](#) [SST39LF040-45-4C-NHE-T](#) [SST39LF040-55-4C-WHE-T](#) [SST39LF040-55-4C-NHE-T](#)  
[SST39WF800A-90-4C-B3KE](#) [SST39WF800A-90-4C-M2QE](#)